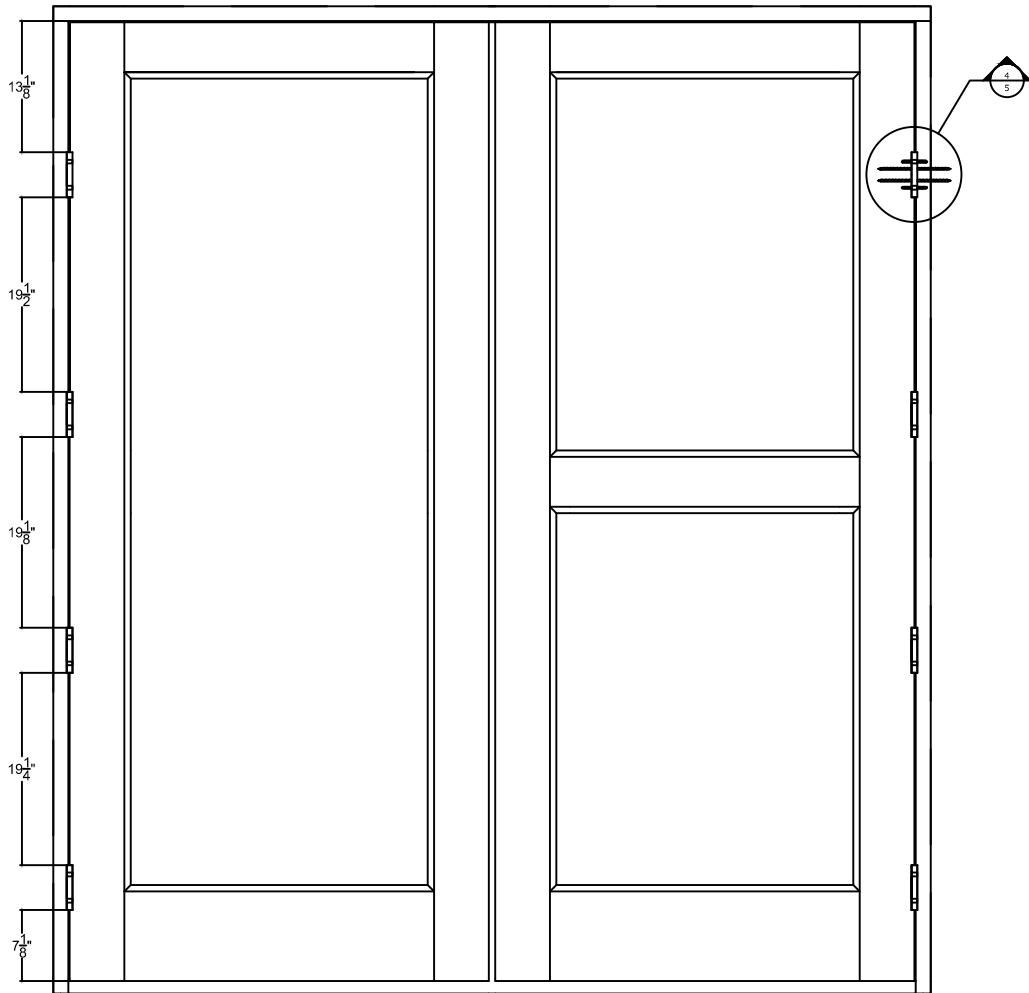


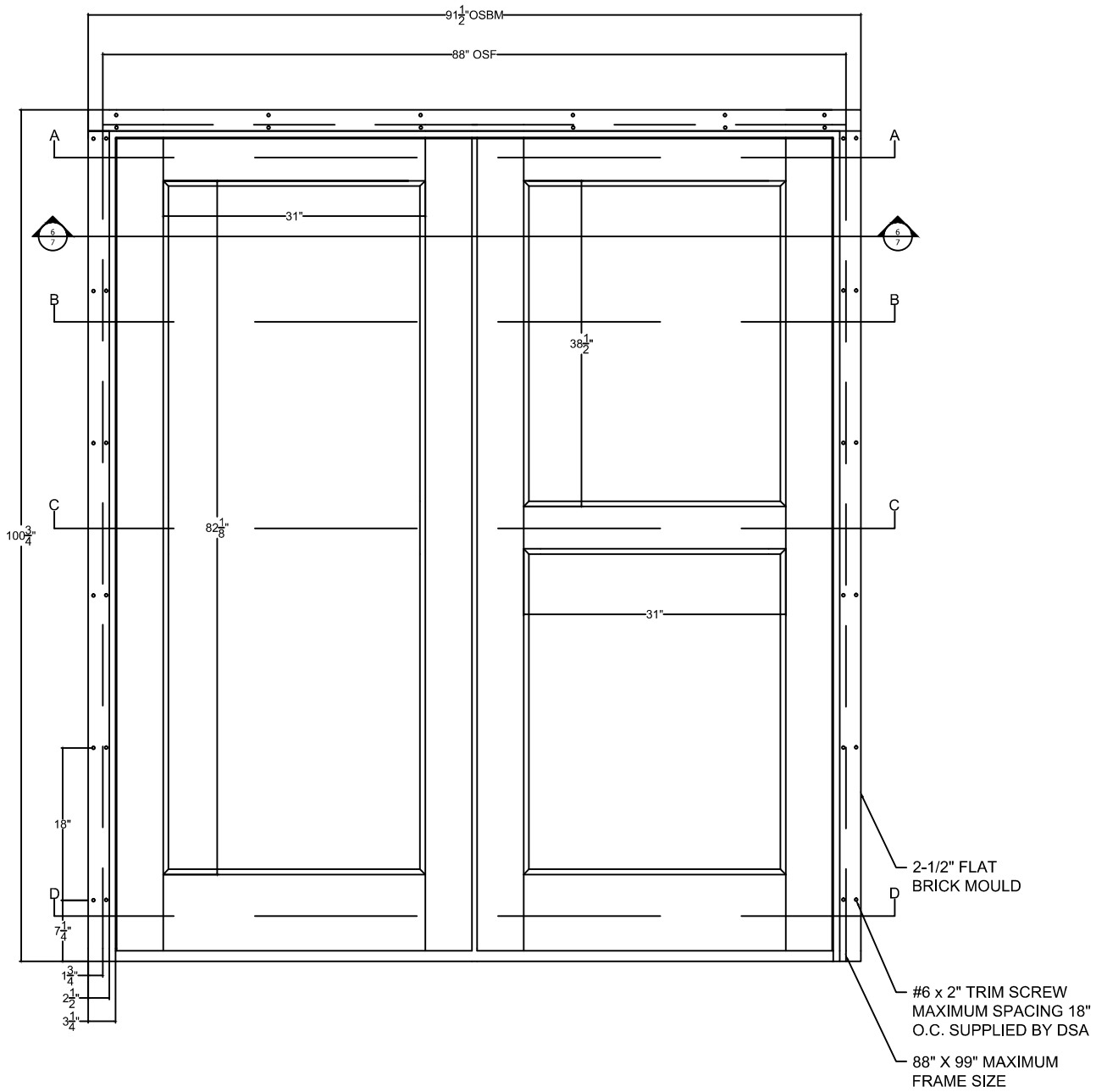
○ FRAME INSTALLATION

DSA Master Crafted Doors
Drawing# DSA-Impact1-13
7/0 x 8/0 Double Full Lite/2PNL



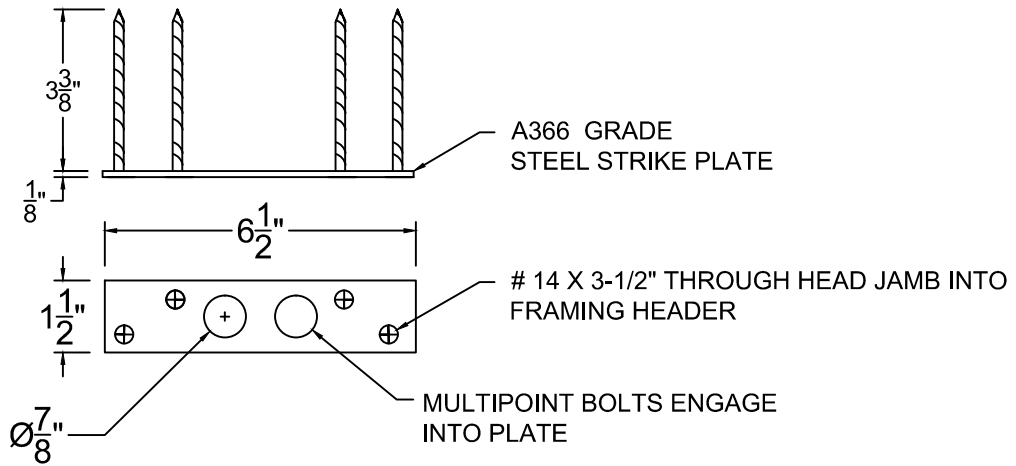
○ HINGE LOCATION

DSA Master Crafted Doors
Drawing# DSA-Impact1-13
7/0 x 8/0 Double Full Lite/2PNL

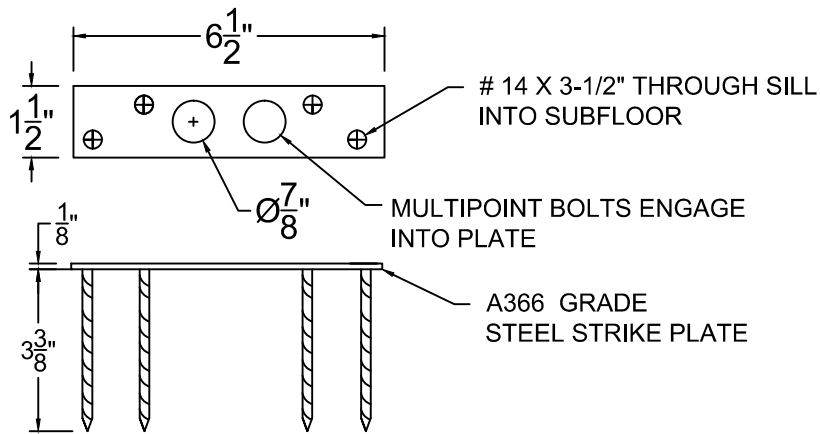


3 BRICKMOULD

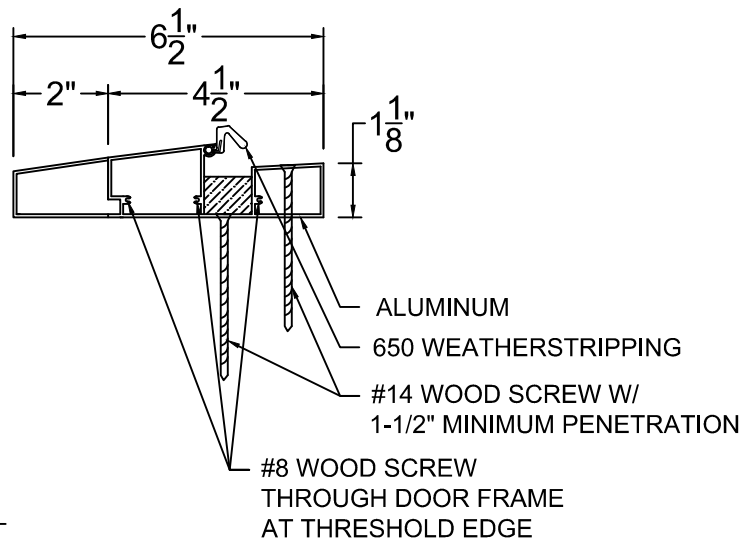
DSA Master Crafted Doors
Drawing# DSA-Impact1-13
7/0 x 8/0 Double Full Lite/2PNL



1 TOP STRIKE PLATE



2 BOTTOM STRIKE PLATE



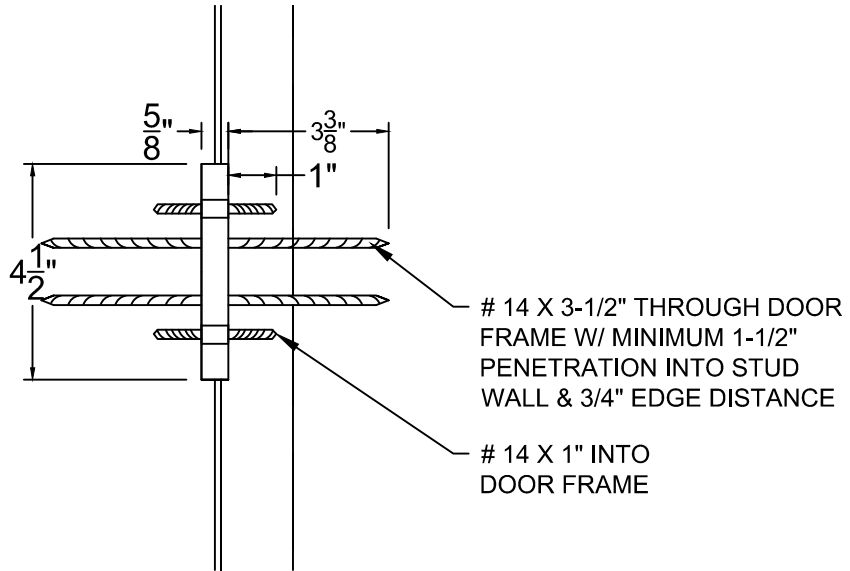
3 THRESHOLD SECTION

DSA Master Crafted Doors

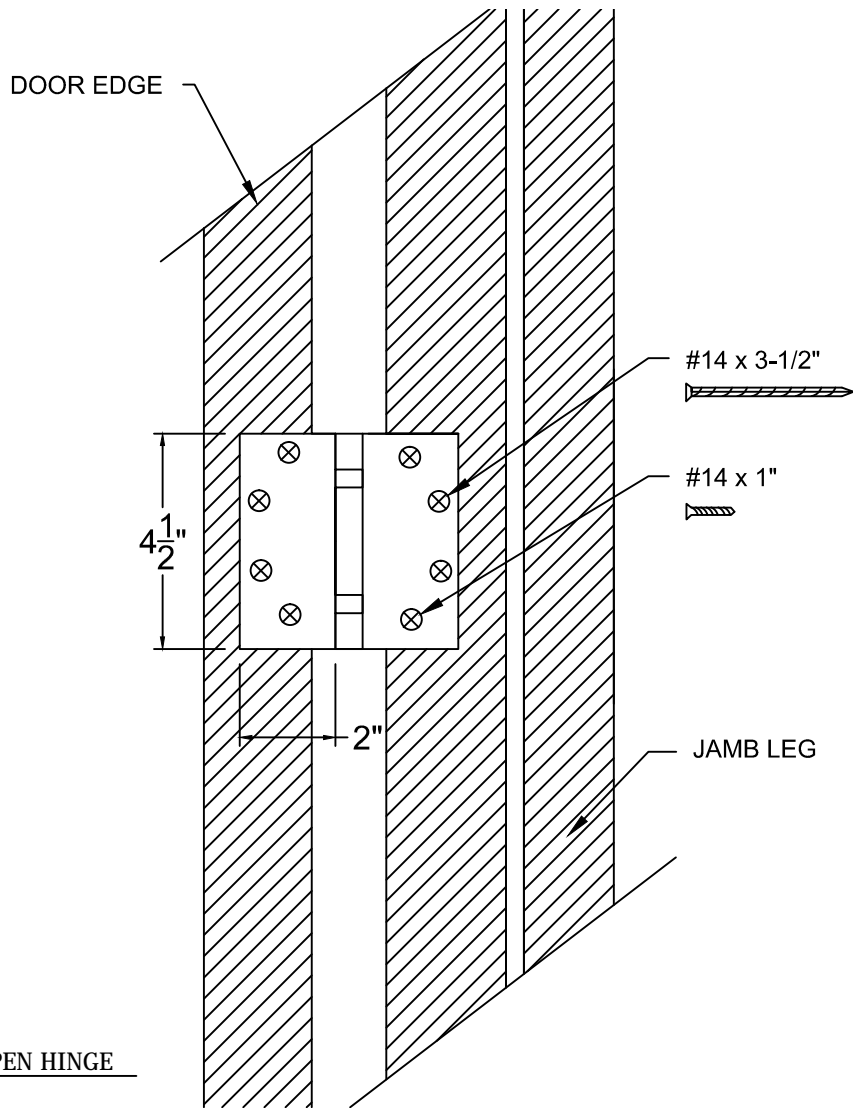
Drawing# DSA-Impact1-13

7/0 x 8/0 Double Full Lite/2PNL

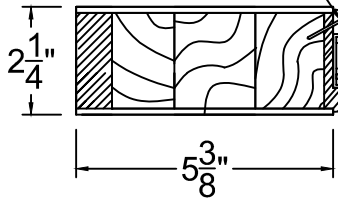
4 CLOSURE HINGE



5 OPEN HINGE



1" # 18 GA FINISH NAILS
3" SPACING ALONG ALL
LOOSE BEADING



EXTERIOR

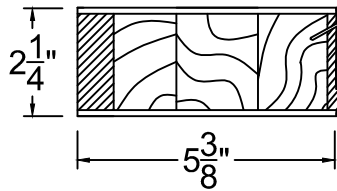
5/32" TEMPERED
LOOSE GLASS BEAD
GLASS GLAZED W/
DOW 995
STRUCTURAL ADHESIVE

1/2" GLASS BITE
FIXED STICKING
5/16" LAMINATED
(1/8" ANNEALED/
.090 PVB INTERLAYER/
1/8" ANNEALED)

INTERIOR

6 GLAZING SECTION

1" # 18 GA FINISH NAILS
3" SPACING ALONG ALL
LOOSE BEADING



EXTERIOR

LOOSE GLASS BEAD
PANEL INSTALLED/
SEALED W/ DOW 995
STRUCTURAL ADHESIVE

FIXED STICKING
1/2" X 3-1/2" DOWELL
ENGINEERED PANEL W/
#2 YELLOW PINE CORE

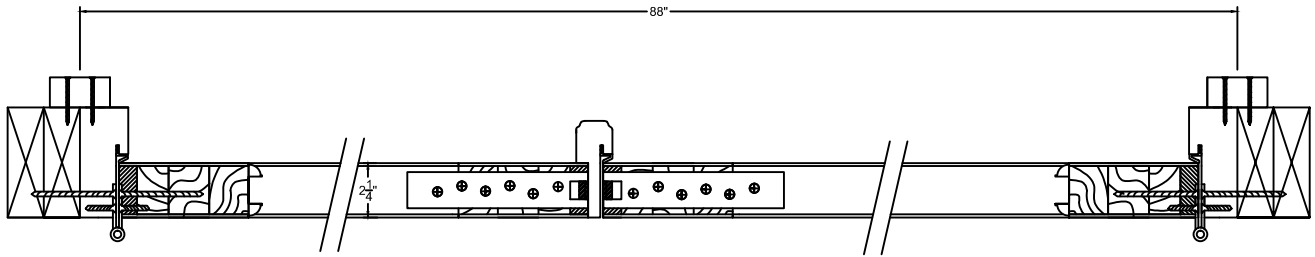
INTERIOR

7 PANEL SECTION

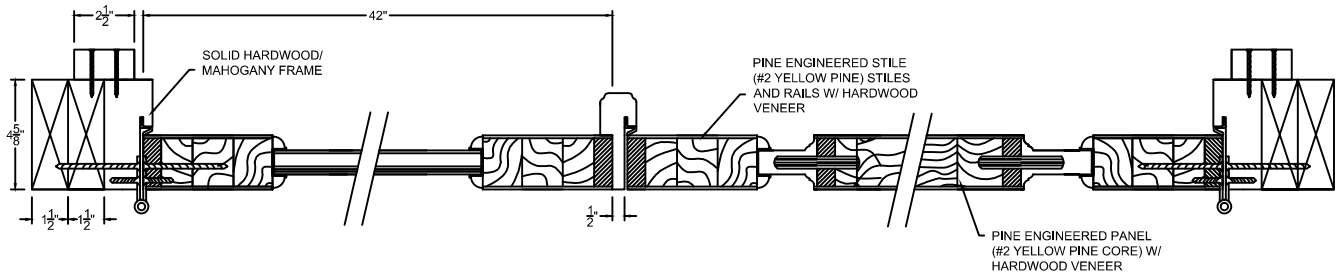
DSA Master Crafted Doors

Drawing# DSA-Impact1-13

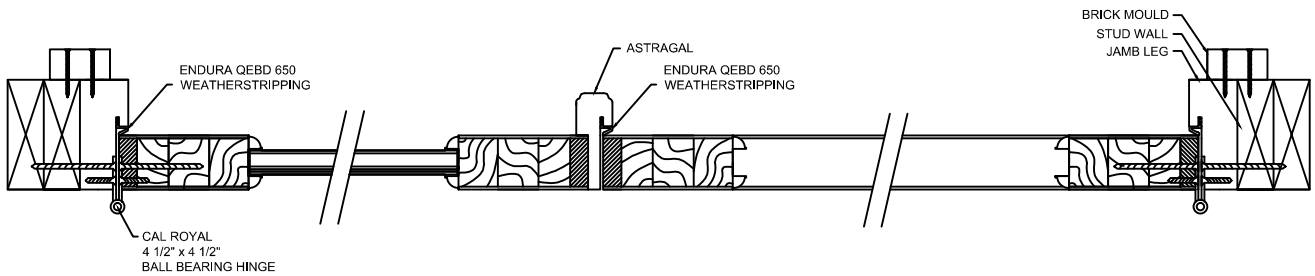
7/0 x 8/0 Double Full Lite/2PNL



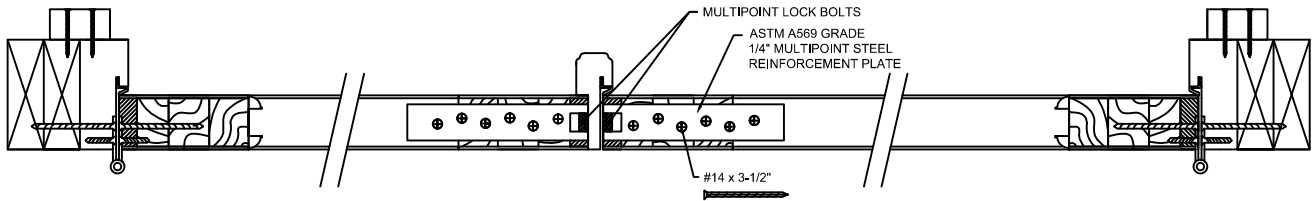
A TOP RAIL SECTION



B GLAZING & PANEL SECTION

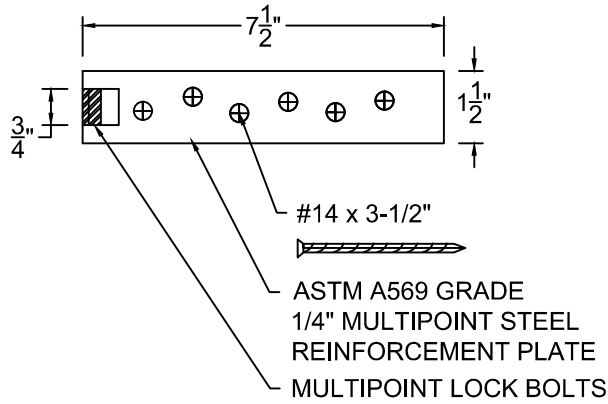


C MID RAIL SECTION

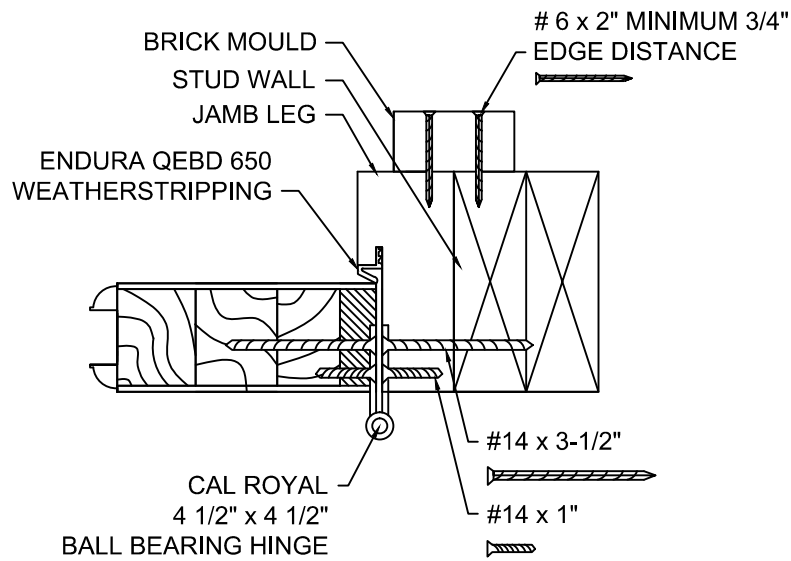


D BOTTOM RAIL SECTION

DSA Master Crafted Doors
Drawing# DSA-Impact1-13
7/0 x 8/0 Double Full Lite/2PNL



8 REINFORCEMENT PLATE



9 FRAME EDGE

DSA Master Crafted Doors

Drawing# DSA-Impact1-13

7/0 x 8/0 Double Full Lite/2PNL